



## Malaysia

**Electrolux Home Appliances Sdn Bhd**  
Co. No. 198801008304 (175660-T)

address: Unit T2-L7, Level 7, Tower 2, PJ 33,  
No. 3, Jalan Professor Khoo Kay Kim,  
Seksyen 13, 46200 Petaling Jaya,  
Selangor, Malaysia.

telephone: (+603) 7843 5999

fax: (+603) 7955 5511

website: [electrolux.com.my](http://electrolux.com.my)

facebook: [facebook.com/ElectroluxMalaysia](https://facebook.com/ElectroluxMalaysia)

instagram: [instagram.com/electroluxmy](https://instagram.com/electroluxmy)



## CONSUMER CARE CENTRE

address: Lot C6, No. 28, Jalan 15/22,  
Taman Perindustrian Tiong Nam,  
Seksyen 15, 40200 Shah Alam,  
Selangor Darul Ehsan, Malaysia.

hotline: 1300 88 1122 / 1800 81 9239

fax: (+603) 5524 2521

e-mail: [malaysia.customercare@electrolux.com](mailto:malaysia.customercare@electrolux.com)

Dealer's Stamp

Version: 2021-11



## Cooking Range 2022

Create delicious  
tastes, effortlessly





## A kitchen that knows what matters

At Electrolux, our philosophy is simple: life in the kitchen should be seamless and intuitive.

That's why we've developed a new range with smart, sustainable features and clean lines for an effortless experience. So, you can concentrate on the things that make you happy: making and sharing great food with the people you love.

**Swedish thinking.  
Better living.**

# Cooking

## Effortless cleaning with SteamClean hood

SteamClean technology makes light work of a once tedious chore. Simply press one button and the hood injects steam to clean all the hard to reach places inside the chimney. By effortlessly removing stubborn grease and grime, the cooker hood maintains efficient air flow to provide you with a more pleasant cooking and dining experience.

## Lower your utility bills with UltimateTaste gas hobs

The blue flame burns efficiency to turn up the flavours faster, whilst also keeping your energy costs down.

## Dishwashing

Our range of quiet, fuss-free dishwashers offer superb results – sparkling dishes, ergonomic stacking and swift cycles, keeping your favourite dishware beautifully clean.

## Next –level baking with SteamBake ovens

With SteamBake, you can create bakery-style bread in your own home. The added steam allows dough to rise more effectively than conventional heating. The steam helps to create an exquisitely soft centre, while the combination of hot air delivers deliciously glossy crusts.



# Gas Hobs

## A step in the right direction

StepFlame delivers precise control to three rings of flame with stepped settings that click into place as you change the heat intensity. The pre-defined settings guarantee the same flame and heat level every single time, giving you both control and flexibility. This is perfect for a variety of techniques and dishes from delicately melting chocolate in a bain-marie, to gently simmering sauces or stir-frying rice at high temperatures.

## High power. Intense flavour.

The high-power burner provides intense heat and a steady flame exactly when you need it most. This is perfect for stir-frying when a very high temperature is needed to lock in the texture and flavour of crunchy vegetables or fried rice.

\*Selected models

## Extra efficient. Extra tasty.

FlameShield trivet efficiently channels intense heat to the cooking process with less heat loss.



# Hobs



## Gas Hobs

The curved trivet profile works like cradling a candle, cupping the flame and channeling the energy directly onto the bottom of the pan. By directing heat more efficiently, our FlameShield trivet cook tops cook faster and consume less energy

## Induction Hobs

The coolest way to hob cook, induction is just like cooking by magnetism - heat is only activated when there is a pan on the hob, and it's instantaneous; which means induction cooking is faster than gas, more energy efficient, and also more controllable.

## Ceramic Hobs

Engineered to heat up rapidly, our ceramic hobs guarantee you precise heat selection, coupled with Electronic Touch Controls and easy-to-read LED displays.

# Gas Hobs

## Features



### StepFlame settings deliver precise heat control.

StepFlame delivers precise heat control to help you perfect a variety of techniques and dishes.



### FlameShield improves efficiency and results.

FlameShield trivet efficiently channels intense heat to the cooking process with less heat loss.



### High power burner is ideal for stir-frying.

The high power burner is ideal for stir-frying crunchy vegetables and tasty rice or noodles.



### Flame failure cuts off gas supply for your safety.

Flame failure safety device automatically cuts off the gas supply if the flame goes out.



### Flexi cut-out for easy kitchen installation.

Easy installation into existing kitchen counter cut-outs without additional modifications.



### Pancake setting for pancake perfection.

Pancake setting delivers even heat distribution to cook pancakes perfectly every time.



### Durable, easy-to-clean tempered glass surface.

The tempered glass surface makes it easier to clean burnt-on grease and grime.



## Blue Flame

The blue flame burns efficiency to turn up the flavours faster, whilst also keeping your energy costs down.





## Sensor cuts off the flame to prevent burning.



A sensor embedded in the burner cap recognises when the temperature is getting too hot and automatically shuts off the flame to prevent burnt food and fire hazards.



80cm UltimateTaste 700 built-in gas hob with 2 burners

### Technical info

**EHG8238BC**

**Product dimensions (mm)**  
800 (W) x 130 (H) x 508 (D)

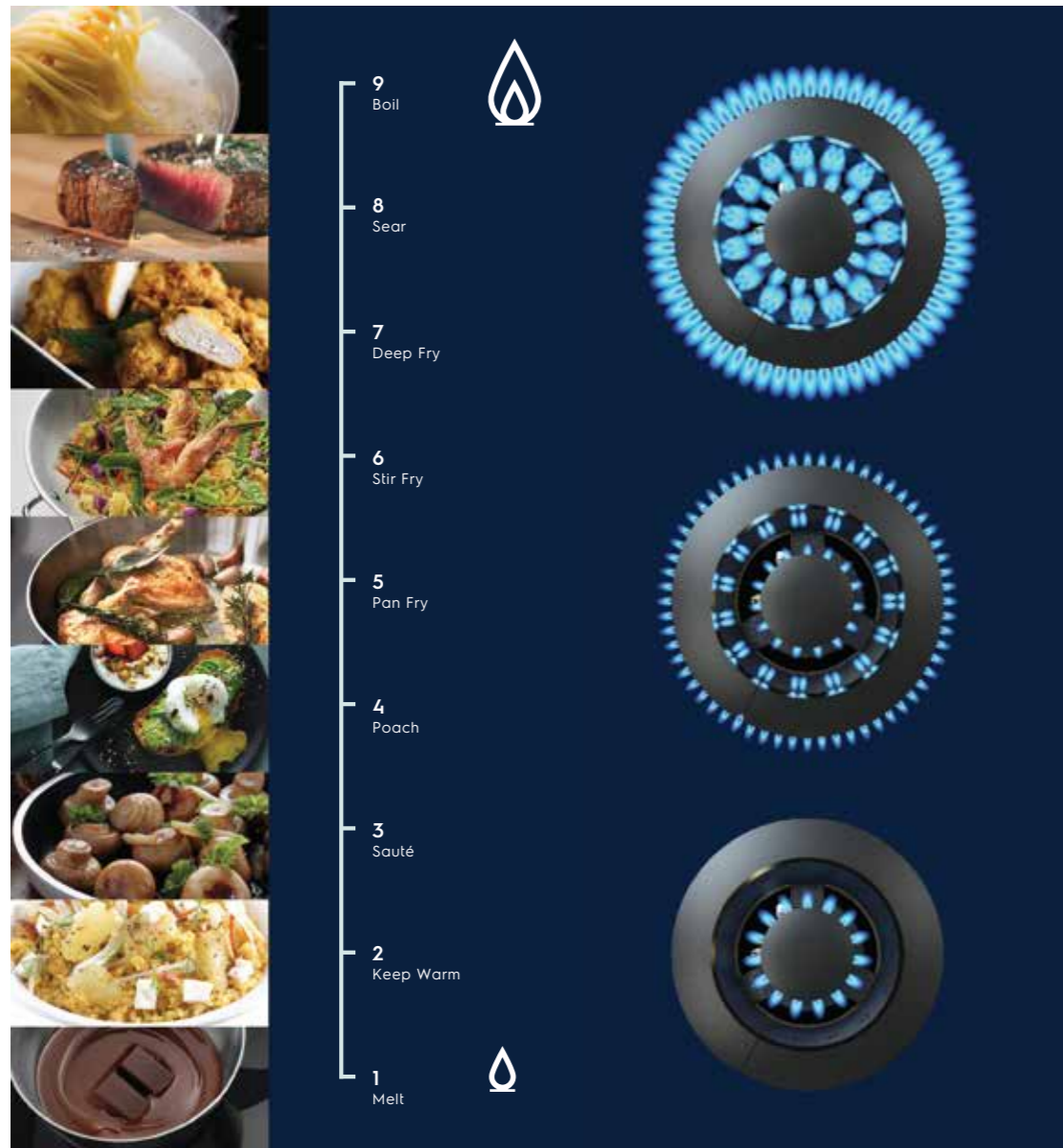
**Cut-out dimensions (mm)**  
700-745 (W) x 400-445 (D)

### Features

- Step Flame: 5 Steps
- High power burner
- Temperature sensor
- Flame failure device
- Flexi installation cut out
- Cast iron pan supports
- Tempered glass surface
- One hand ignition
- Blue flame burners
- Pancake setting
- Burner Power: 5.0kW x 2
- Heat Efficiency: 56%



## StepFlame settings deliver precise heat control.



StepFlame delivers precise control to three rings of flame with stepped settings that click into place as you change the heat intensity. The pre-defined settings guarantee the same flame and heat level every single time, giving you both control and flexibility. This is perfect for a variety of techniques and dishes from delicately melting chocolate in a bain-marie, to gently simmering sauces or stir-frying rice at high temperatures.



The FlameShield trivet reduces heat-loss to deliver more intense heat to the cooking process, for effortlessly perfecting dishes from soups to sauces to stir-fries. The curved trivet profile works like cradling a candle with your hands, cupping the flame, and channelling the energy directly onto the bottom of the pan. By directing heat more efficiently, hobs with the FlameShield trivet cook faster and consume less energy than previous models\*, helping you to achieve quick, tasty meals, whilst also lowering your energy bills over time.

\*Lower gas consumption to bring 2L water to boiling point - comparison vs. previous model EGT9239CKB carried out in internal testing.



### High power. Intense flavour.

The high-power burner provides intense heat and a steady flame exactly when you need it most. This is perfect for stir-frying when a very high temperature is needed to lock in the texture and flavour of crunchy vegetables or fried rice.

### Safety shut-off

The flame failure safety device automatically cuts off the gas supply if the flame goes out during cooking. This means you can use your appliance at the lowest power without worrying about the flame extinguishing and leaking gas.

### Easy installation

The smaller lower box of this cooktop combined with the extended glass overhang and flexible bracket makes installation into existing counter cut-outs easy without additional modifications.

### Sturdy and stable

Sturdy cast iron supports ensure that your pots and pans are stable while cooking.

### Effortless cleaning

The flat tempered glass surface makes it easier to clean burnt-on grease and grime to speed up the cleaning process after cooking.

### Pancakes made to perfection

Take your pancake flipping skills to the next level with our pancake setting. Delivering even heat distribution between the inner and outer flame so you can experience evenly cooked, smooth, delicious pancakes - made to perfection.



90cm UltimateTaste 700  
built-in gas hob with 3  
burners

Technical info

**EHG9351BC**

**Product dimensions (mm)**  
900 (W) x 130 (H) x 520 (D)

**Cut-out dimensions (mm)**  
700-865 (W) x 405-480 (D)



Features

- StepFlame
- FlameShield trivet
- High power burner
- Flame failure device
- Flexi installation cut out
- Semi-rapid burner
- Cast iron pan supports
- Tempered glass surface
- Pancake setting
- Burner Power: 5.2kW x 2 / 2.0kW x 1
- Heat Efficiency: 61%

90cm UltimateTaste 700  
built-in gas hob with 2  
burners

Technical info

**EHG9251BC**

**Product dimensions (mm)**  
900 (W) x 130 (H) x 520 (D)

**Cut-out dimensions (mm)**  
700-865 (W) x 405-480 (D)



Features

- StepFlame
- FlameShield trivet
- High power burner
- Flame failure device
- Flexi installation cut out
- Cast iron pan supports
- Tempered glass surface
- Pancake setting
- Burner Power: 5.2kW x 2
- Heat Efficiency: 61%

80cm UltimateTaste 700  
built-in gas hob with 2  
burners

Technical info

**EHG8251BC**

**Product dimensions (mm)**  
800 (W) x 130 (H) x 508 (D)

**Cut-out dimensions (mm)**  
630-765 (W) x 350-465 (D)



Features

- StepFlame
- FlameShield trivet
- High power burner
- Flame failure device
- Flexi installation cut out
- Cast iron pan supports
- Tempered glass surface
- Pancake setting
- Burner Power: 5.2kW x 2
- Heat Efficiency: 61%

90cm UltimateTaste 500  
built-in gas hob with 3  
burners

Technical info

**EHG9350BC**

**Product dimensions (mm)**  
900 (W) x 130 (H) x 520 (D)

**Cut-out dimensions (mm)**  
700-865 (W) x 405-480 (D)



Features

- FlameShield trivet
- High power burner
- Flame failure device
- Flexi installation cut out
- Semi-rapid burner
- Cast iron pan supports
- Tempered glass surface
- One hand ignition
- Burner Power: 5.2kW x 2 / 2.0kW x 1
- Heat Efficiency: 61%

80cm UltimateTaste 500  
built-in gas hob with 2  
burners

Technical info

**EHG8250BC**

**Product dimensions (mm)**  
800 (W) x 130 (H) x 508 (D)

**Cut-out dimensions (mm)**  
630-765 (W) x 350-465 (D)



Features

- FlameShield trivet
- High power burner
- Flame failure device
- Flexi installation cut out
- Cast iron pan supports
- Tempered glass surface
- One hand ignition
- Burner Power: 5.2kW x 2
- Heat Efficiency: 61%

80cm UltimateTaste 500  
built-in gas hob with 2  
burners

Technical info

**EHG8241GE**

**Product dimensions (mm)**  
800 (W) x 130 (H) x 508 (D)

**Cut-out dimensions (mm)**  
630-765 (W) x 350-465 (D)



Features

- FlameShield trivet
- High power burner
- Flame failure device
- Flexi installation cut out
- Matt Enamel pan supports
- Tempered glass surface
- One hand ignition
- Burner Power: 5.2kW x 2
- Heat Efficiency: 61%





A premium European-Engineered design gas hob that has unique square trivet, high heat efficiency and steady blue flame for efficient cooking ensuring delicious result everytime you cook.



Square trivet

**Blue flame burns efficiently to lower energy cost.**

The blue flame burns efficiency to turn up the flavours faster, whilst also keeping your energy costs down.



**High power burner is ideal for stir-frying.**

The high-power burner provides intense heat and a steady flame exactly when you need it most. This is perfect for stir-frying when a very high temperature is needed to lock in the texture and flavour of crunchy vegetables or fried rice.



**Flame failure cuts off gas supply for your safety.**

The flame failure safety device automatically cuts off the gas supply if the flame goes out during cooking. This means you can use your appliance at the lowest power without worrying about the flame extinguishing and leaking gas.



**Flexi cut-out for easy kitchen installation.**

Flexible bracket makes installation into existing counter cut-outs easy without additional modifications.



**Semi-rapid burners for cooking with low heat.**

Semi-rapid burners are ideal for dishes like soups and stews that require lower, more gentle temperatures to perfect. Select a low simmering heat to bring out the best textures and flavours.



**Cast iron supports keep pots and pans stable.**

Sturdy cast iron supports ensure that your pots and pans are stable while cooking.



**90cm UltimateTaste 300 built-in gas hob with 3 burners**

**Technical info**

**Features**

**EHG9331BC**

**Product dimensions (mm)**  
900 (W) x 130 (H) x 520 (D)

**Cut-out dimensions (mm)**  
700-865 (W) x 405-480 (D)



- Blue flame burners
- High power burner
- Flame failure device
- Flexi installation cut out
- Semi-rapid burner
- Cast iron pan supports
- Tempered glass surface
- One hand ignition
- Burner Power: 5.0kW x 2 / 1.65kW x 1
- Heat Efficiency: 56%

**90cm UltimateTaste 300 built-in gas hob with 2 burners**

**Technical info**

**Features**

**EHG9231BC**

**Product dimensions (mm)**  
900 (W) x 130 (H) x 520 (D)

**Cut-out dimensions (mm)**  
700-865 (W) x 405-480 (D)



- Blue flame burners
- High power burner
- Flame failure device
- Flexi installation cut out
- Cast iron pan supports
- Tempered glass surface
- One hand ignition
- Burner Power: 5.0kW x 2
- Heat Efficiency: 56%

**80cm UltimateTaste 300 built-in gas hob with 3 burners**

**Technical info**

**Features**

**EHG8321BC**

**Product dimensions (mm)**  
800 (W) x 130 (H) x 508 (D)

**Cut-out dimensions (mm)**  
630-765 (W) x 350-465 (D)



- Blue flame burners
- High power burner
- Flame failure device
- Flexi installation cut out
- Semi-rapid burner
- Cast iron pan supports
- Tempered glass surface
- One hand ignition
- Burner Power: 5.0kW x 2 / 1.65kW x 1
- Heat Efficiency: 56%



The stainless steel surface makes it easier to clean burnt-on grease and grime to speed up the cleaning process after cooking.



**86cm UltimateTaste 300  
built-in gas hob with 3  
burners**

**Technical info**

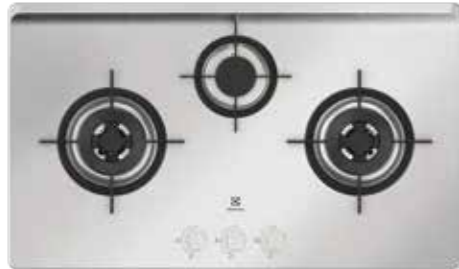
**Features**

**EHG933SA**

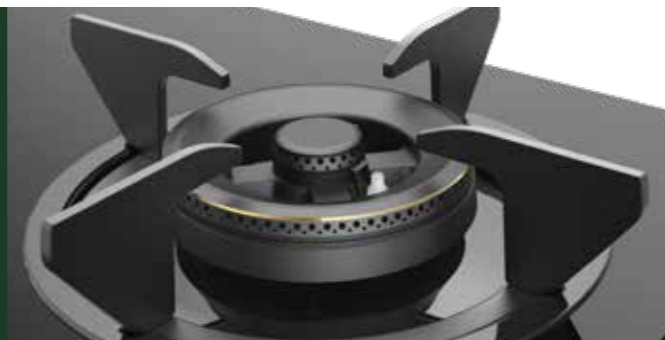
**Product dimensions (mm)**  
860 (W) x 510 (D)

**Cut-out dimensions (mm)**  
705 (W) x 405 (D)

- Blue flame burners
- High power burner
- Surface stainless steel
- Cast iron pan supports
- Semi-rapid burner
- Flame failure device
- Burner Power: 5.0kW x 2 / 1.9kW x 1
- Heat efficiency: 55%
- One hand ignition



The flat tempered glass surface not only makes it easier to clean burnt-on grease and grime to speed up the cleaning process after cooking, but it is also very durable for added peace of mind.



**78cm UltimateTaste 300  
built-in gas hob with 2  
burners**

**Technical info**

**Features**

**EHG7230BE**

**Product dimensions (mm)**  
780 (W) x 460 (D)

**Cut-out dimensions (mm)**  
732 (W) x 421 (D)

- Blue flame burners
- High power burner
- Matt enamel pan support
- Tempered glass surface
- Flame failure device
- Wide knob rotary
- Burner Power: 4.5kW x 2
- Heat efficiency: 56%
- One hand ignition



# Induction hobs

Induction hobs are easy to keep clean. The smooth ceramic surface can be quickly and effortlessly wiped clean, while spillages cannot burn because the area surrounding the pots stays cool. No need to guess which pot you can use - if a magnet sticks to the bottom of the pan, it works.

## 60cm UltimateTaste 300 built-in induction hob with 4 cooking zones

### EHI6450BA



#### Technical info

**Product dimensions (mm)**  
610 (W) x 515 (D)

**Cut-out dimensions (mm)**  
560 (W) x 490 (D)

#### Features

- 4 powerful induction zones with 3.1kW booster
- Front touch controls
- Individual timers for each cooking zones
- Auto Safety cut-off and child lock functions
- Individual residual heat indicators
- 9-level Power Setting
- Black Ceran Glass
- Cooking Zone Power: 2.3kW/ 1.8kW/ 1.4kW x 2
- Maximum Power Boost: 3.1kW
- Total Connected Load: 7.4kW
- Voltage: 220-240V
- Frequency: 50-60Hz

## 70cm UltimateTaste 300 built-in induction hob with 2 cooking zones

### EHI7260BB



#### Technical info

**Product dimensions (mm)**  
700 (W) x 420 (D)

**Cut-out dimensions (mm)**  
680 (W) x 400 (D)

#### Features

- 2 induction zones with PowerBoost
- Front touch controls
- Individual timers for each cooking zone
- Auto safety cut-off and child lock functions
- Individual residual heat indicators
- Stop+Go functions
- 14-level Power Setting
- Black Ceran Glass
- Cooking Zone Power: 1.2kW/ 2kW
- Total Connected Load: 3.2kW
- Voltage: 220-240V
- Frequency: 50-60Hz

## 30cm UltimateTaste 300 built-in induction hob with 2 cooking zones

### EHI325CA



#### Technical info

**Product dimensions (mm)**  
300 (W) x 520 (D)

**Cut-out dimensions (mm)**  
270 (W) x 490 (D)

#### Features

- 2 powerful zones with 3.7kW booster for front zone
- Precise heat setting with 14 power levels
- Stop+Go function
- Individual timer for each cooking zone
- Auto safety cut-off and child lock functions
- 14-level Power Setting
- Black Ceran Glass
- Cooking Zone Power: 1.4kW/ 2.3kW
- Total Connected Load: 3.7kW
- Voltage: 220-240V
- Frequency: 50-60Hz

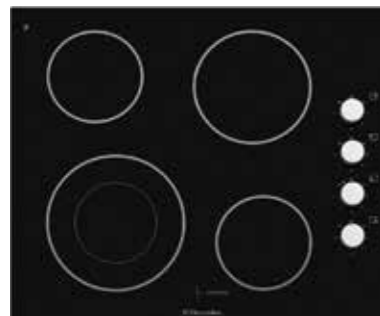


# Ceramic hobs

The ceramic hob, also known as radiant hob, has a similar look to induction hobs because of the ceramic glass surface. When the hob get heated, the cooking zones on the surface becomes extremely hot. There is no need to guess which pot you can use as it works on all types of pots.

**60cm UltimateTaste 300 built-in ceramic hob with 4 cooking zones**

**EHEC65BS**



## Technical info

**Product dimensions (mm)**  
610 (W) x 515 (D)

**Cut-out dimensions (mm)**  
560 (W) x 55 (H) x 490 (D)

## Features

- Dual ring zone
- 4 rapid power zones (max. 2.2kW)
- 7 heat control power settings
- Individual residual heat indicators
- Auto safety cut-off function
- Black Ceran Glass
- Cooking Zone Power: 2.2kW/ 1.8kW/ 1.2kW x 2
- Total Connected Load: 6.4kW
- Voltage: 220-240V
- Frequency: 50Hz

**70cm UltimateTaste 300 built-in ceramic hob with 2 cooking zones**

**EHC7240BA**



**30cm UltimateTaste 300 built-in ceramic hob with 2 cooking zones**

**EHC325BA**



## Technical info

**Product dimensions (mm)**  
700 (W) x 420 (D)

**Cut-out dimensions (mm)**  
680 (W) x 55 (H) x 400 (D)

## Technical info

**Product dimensions (mm)**  
300 (W) x 52 (H) x 520 (D)

**Cut-out dimensions (mm)**  
270 (W) x 52 (H) x 490 (D)

## Features

- 2 rapid power zones (max. 1.8kW)
- Precise heat setting with 14 power levels
- Front touch slide controls
- Individual timers for each cooking zone
- Residual heat indicators
- Auto safety cut-off functions
- Child lock functions
- Stop+Go functions
- 14-level Power Setting
- Black Ceran Glass
- Cooking Zone Power: 1.2kW/ 1.8kW
- Total Connected Load: 3.0kW
- Voltage: 220-240V
- Frequency: 50-60Hz

## Features

- 2 rapid power zones for superior performance
- Precise heat setting with 9 power levels
- Touch electronic control functions
- Auto safety cut-off and child lock functions
- 9-level Power Setting
- Black Ceran Glass
- Cooking Zone Power: 1.2kW / 1.8kW
- Total Connected Load: 3.0kW
- Voltage: 220-240V
- Frequency: 50-60Hz



# Portable Induction Cooker

## Touch control

Lets you easily control the cooker with 2 pre-set programmes.

## Pot detection sensor

Switches off the cooker when there is no pot in place.

## 180-minute timer

Allows for long simmering time when needed.

## Child lock

Gives you added safety and protection.



### Portable induction cooker

#### ETD42SKA



### Portable induction cooker

#### ETD29PKB



### Technical info

**Product dimensions (mm)**  
290 (W) x 42 (H) x 360 (D)

### Features

- Easy-to-clean Ceran glass surface
- 8 power levels
- Touch control with 6 pre-set programmes
- 180-minute timer
- Pot detection sensor
- Auto cut-off and child lock
- Extra long 2m cable
- Pot included

### Technical info

**Product dimensions (mm)**  
280 (W) x 62 (H) x 358 (D)

### Features

- Easy-to-clean Ceran glass surface
- 8 power levels
- Touch control with 2 pre-set programmes
- 180-minute timer
- Pot detection sensor
- Auto cut-off and child lock
- Extra long 2m cable
- Pot included





## Hoods

Take a breath of fresh air in style. Big is beautiful when it comes to cooker hoods. Crafted with you and your needs in mind, our range of modern hoods are quiet, effective, and as dramatically bold or stylishly subtle as you want them to be.

From stunning centrepieces to discreetly functional models, the aesthetics of the Electrolux cooker hood range complement the other kitchen appliances - right down to the designer light detail found on some of the top models. Clever use of lighting forms a practical role in illuminating the hob as well as creating the perfect ambience for food preparation.

Take your pick. Which hood fits you best?

### Island hoods

Designed to be suspended over a central cooking island, Island Hoods create a dynamic focal point in the kitchen.

### Panel designer hoods

Designed to add sophistication and modernised style to your kitchen, Panel Designer Hoods combine smooth black glass with stainless steel for a luxurious look and feel.

### Chimney hoods

Designed to provide a visual focus whilst offering various styles and widths to suit your kitchen, Chimney Hoods both perform well and please the eye.

### Slimline hoods

With easy-to-reach front controls, Slimline Hoods fit underneath a wall cupboard neatly.



### Designer hood

**EFS928SA**

### Technical info

#### Product dimensions (mm)

900 (W) x (938 - 1,355) (H) x 395 (D)

### Features

- Premium sliding glass design
- Power Boost with 1,500m<sup>3</sup>/hr maximum airflow
- Clog-free dual filter system
- IQ Touch with 4 fan speed
- Delay AutoOff Timer
- Extraction operation mode
- Cleaning reminder - light indicator after 50 hours of accumulated cooking hours
- Stainless Steel with Black Glass Panel
- Fan Speeds: 4 speeds
- LED Lights
- Voltage: 220-240V
- Frequency: 50Hz

## Premium design, superior performance

Electrolux Panel Designer Hoods not only add beauty and elegance to your kitchen, they work wonders too. Packed with features to give you clean, fresh air even when you're cooking up a feast, your hood provides the perfect kitchen ambience - be it for cooking, dining, or entertaining.



#### Power Boost

Delivers a high airflow of 1,100m<sup>3</sup>/h to immediately refresh your kitchen and reduce clean-up time.



#### One Touch Elevation

Controls when the panel goes up and down with just one touch.



## The perfect atmosphere for the perfect meal

With its emphasis on stir-frying and steaming, Asian cooking releases a lot of vapour, grease, and odour in the air. Yet more and more modern Asian households are adopting a European open kitchen model. For this, you need a hood that clears the air with a combination of powerful air extraction and low noise. Electrolux hoods help keep grease, smoke, and moisture out of the air and away from your kitchen surfaces, walls, and soft furnishings.



### Blue Touch Control

The unique blue touch control is designed to allow you to easily customise all the settings needed for your cooking. It controls various aspects such as operation modes and fan speed, and even adjusts the amount of light needed to illuminate your cooking.



### Efficient 5-layer Grease Filter

The efficient 5-layer grease filter ensures cleaner air by absorbing and effectively filtering out the grease and fumes from your cooking.

#### Island hood

**EFL925MAR**



#### Technical info

**Product dimensions (mm)**  
900 (W) x (531 - 1,066) (H) x 623 (D)

#### Features

- Intensive 900m<sup>3</sup>/hr maximum airflow
- IQ Touch with 3 fan speed
- Multi-function grease filtration
- Dimming LED light
- Recirculation or Extraction operation mode
- Stainless Steel / Mirror Panel
- Carbon Filter included
- Air Outlet: 150mm
- Motor Power: 270W
- Lamp Power: 4 x 1.5W
- Total Connected Load: 276W
- Voltage: 220-240V
- Frequency: 50Hz



## Making life easier every day

Touch controls and intelligent appliances have fast become a common way of life. Smart buttons and indicators make life easier and decrease stress levels while doing chores.



#### Steam Cleaning

A cleaning system with steam and hot water inside the fan system cleans the hood thoroughly.



#### Cleaning Alert

Automatically sends you an alert to let you know when it's time to activate the self-clean function.



#### Power Boost

Delivers a high airflow of 1,100m<sup>3</sup>/h to immediately refresh your kitchen and reduce clean-up time.



#### LED 3-level Light

Offers a better view of what you're cooking with a brighter, adjustable, and energy-saving LED light.

#### 90cm UltimateTaste 500 chimney hood

#### Technical info

**EFC928SC**

**Product dimensions (mm)**  
895 (W) x (586 - 936) (H) x 506 (D)

#### Features



- Power Boost with 1,400m<sup>3</sup>/hr maximum airflow
- IQ Touch control panel with 3 fan speed & power boost
- Self-cleaning function
- Cleaning reminder indicator
- Stainless steel oil cup with window indicator
- Delay AutoOff Timer
- LED light
- Extraction operation mode
- Voltage: 220-240V
- Frequency: 50Hz

Chimney hood

Technical info

Features

EFC929SA



Product dimensions (mm)  
900 (W) x (590 - 980) (H) x 505 (D)

- Power Boost with 1,500m<sup>3</sup>/hr maximum airflow
- IQ Touch with 3 fan speed
- Delay AutoOff Timer
- 3-level LED light
- Nano coating fan blade & housing
- Stainless steel rectifier panel
- Child lock
- Extraction operation mode
- Fan Speeds: 3+1 Power Boost
- Lamp Power: 2 x 1.5W
- Voltage: 220-240V
- Frequency: 50Hz

Chimney hood

Technical info

Features

EFC926BAR



Product dimensions (mm)  
895 (W) x (518 - 1,158) (H) x 500 (D)

- Power Boost with 1,300m<sup>3</sup>/hr maximum airflow
- IQ Touch with 4 fan speed
- Delay AutoOff Timer
- 3-level LED light
- Recirculation or extraction operation mode
- Voltage: 220-240V
- Frequency: 50Hz
- Carbon Filter included

Chimney hood

Technical info

Features

EFC935SAR



Product dimensions (mm)  
900 (W) x (495 - 1,060) (H) x 504 (D)

- Powerful 1,100m<sup>3</sup>/hr maximum airflow
- IQ Touch with 3 fan speed
- 5-layer grease filtration
- LED light
- Recirculation or extraction operation mode
- Voltage: 220-240V
- Frequency: 50Hz
- Carbon Filter included



Chimney extractor hood

Technical info

Features

EFC926SA

Product dimensions (mm)  
900 (W) x (612-1,092) (H) x 500 (D)

- Power Boost with 1,400m<sup>3</sup>/hr maximum airflow
- Clog-free dual filter system
- IQ Touch with 4 fan speed
- Delay AutoOff Timer
- 3-level LED Light
- Extraction operation mode
- Voltage: 220-240V
- Frequency: 50Hz



**Wider Fan Inlet**  
Frees your kitchen from strong smoke and odours with a wider and innovative fan housing design.



**Dual Filter**  
Guarantees 100% zero oil drops on your kitchen floor.



**High Air Pressure**  
Provides a quick and efficient exhaust system for smoke and odours.



**IQ Touch**  
Gives you easy and intuitive touch controls at your fingertips.



**Power Boost**  
Delivers a high airflow of 1,100m<sup>3</sup>/h to immediately refresh your kitchen and reduce clean-up time.





### Chimney hood

### Technical info

#### EFC922GAK



**Product dimensions (mm)**  
900 (W) x (592 - 865) (H) x 500 (D)

### Features

- Black curved glass design for contemporary kitchens
- Powerful 1,100m<sup>3</sup>/hr maximum airflow to get rid of fumes
- Auto-Clean function reduces clean-up time
- 3 fan speed push button control for different cooking styles
- Extraction operation mode
- Halogen Lamp 25W x 2
- Voltage: 220-240V
- Frequency: 50Hz

### Chimney hood

### Technical info

#### EFC925GAC



**Product dimensions (mm)**  
900 (W) x (590-860) (H) x 500 (D)

### Features

- Curved glass design for contemporary kitchens
- Powerful 1,100m<sup>3</sup>/hr maximum airflow to get rid of fumes
- Auto-Clean function reduces clean-up time
- IQ Touch with 3 fan speed for different cooking styles
- LED Light
- Extraction operation mode
- Voltage: 220-240V
- Frequency: 50Hz

### Chimney hood

### Technical info

#### EFC936GAR



**Product dimensions (mm)**  
900 (W) x (560-1,055) (H) x 504 (D)

### Features

- Curved glass design
- Powerful 1,100m<sup>3</sup>/hr maximum airflow to get rid of fumes
- IQ Touch with 3 fan speed for different cooking styles
- 5-layer grease filtration
- LED Light
- Recirculation or extraction mode
- Voltage: 220-240V
- Frequency: 50Hz
- Carbon filter included

### Slimline hood

### Technical info

#### EFT9516X ●

#### EFT9516K ●



**Product dimensions (mm)**  
898 (W) x 135 (H) x 500 (D)

### Features

- Powerful 550m<sup>3</sup>/hr maximum airflow
- Multi-layer grease filtration
- 3 fan speed
- Front recirculation or extraction operation mode
- Air Outlet: 150mm
- Halogen Lamp 25W x 2
- Total Connected Load: 170W
- Voltage: 220-240V
- Frequency: 50Hz
- Carbon filter included

### Slimline hood

### Technical info

#### EFT6510X



**Product dimensions (mm)**  
598 (W) x 160 (H) x 500 (D)

### Features

- Powerful 520m<sup>3</sup>/hr maximum airflow
- 5-layer grease filtration
- 3 fan speed
- Front recirculation or extraction operation mode
- Air Outlet: 150mm
- Halogen Lamp 40W x 2
- Total Connected Load: 240W
- Voltage: 220-240V
- Frequency: 50Hz
- Carbon filter included





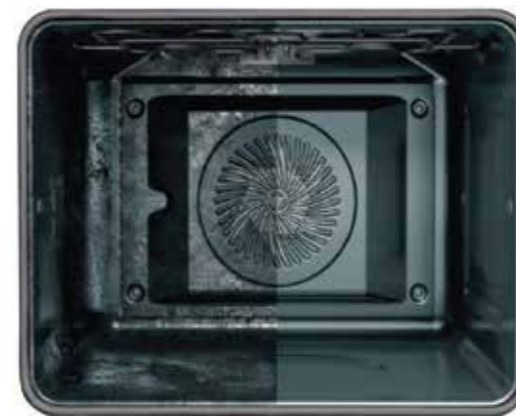
## Built-in Ovens

Whether you are a serial entertainer, a seasoned chef, or a novice cook, Electrolux offers you a choice of ovens that let you express your individual taste and cooking style, effortlessly.

## Inspiro Oven

### Cook and entertain with confidence

Infused with built-in intelligence to help you spice up your cooking skills and inspire you to try new dishes; just turn the wheel to tell the oven what you're making. Voila! Automatically great results, every time.



### Self-Cleaning - Ovens that clean themselves

The only cleaning function that cleans all of the oven - top, sides, back, door, light, and oven base. Efficient and extremely safe to use with the oven being designed around the pyrolytic function, rather than the other way round.

- Removes the need to spend time cleaning your oven by hand
- More friendly to the environment with no need to use cleaning products on your oven



### InfiSpace™

Offers 25% extra space for flexible cooking.



### UltraFan Plus

Keeps the cooking temperature consistent to cook food evenly on every shelf.



### Eco Roasting

Optimises energy consumption during cooking.



### Self-Cleaning

Automatically cleans all of the oven so you won't have to do it by hand.



### CoolDoor Xtra

Offers heat-reflective inner and outer glass panes in the oven door to ensure the outer door temperature is cooler.

## A brand-new oven inspired by our professional expertise

Professional chefs combine steam with conventional cooking to get the best tastes out of their ingredients. Our CombiSteam ovens give you the same result without the effort.



### Smooth and simple

A new design for the water filler tube, with a better fit and finish using a convenient push in/ out knob



## CombiSteam Deluxe - How it works



### VITAL STEAM 100% HUMIDITY

Low temperature - maximum 99°C  
Maximum retention of nutrients  
For delicate fish, "al dente"  
vegetables, rice/couscous,  
menu cooking.



### INTERVAL STEAM PLUS 50% HUMIDITY, FAN OVEN

Temperature 50-130°C  
High retention of nutrients  
For quality reheating of leftovers  
and cooking convenience/  
frozen food.



### INTERVAL STEAM 25% HUMIDITY, FAN OVEN

Temperature 50-230°C  
High retention of nutrients  
For a tender inside with a crusty  
outside (meat, poultry, bread,  
cakes).

60cm UltimateTaste 900  
built-in oven with 70L  
capacity

EOB8857AAX

### Technical info

**Product dimensions (mm)**  
594 (W) x 594 (H) x 567 (D)

**Cut-out dimensions (mm)**  
560 (W) x 590 (H) x 550 (D)

### Features

- Anti-fingerprint stainless steel
- 16 cooking programs plus 6 special heating functions
- 180 preset cooking programs VarioGuide
- 20 memory functions for frequent used oven settings
- White LCD display with touch controls
- Steam cleaning function
- 4-layer glass CoolDoor Xtra
- Meat Probe
- VelvetClosing® Door
- Total input rating: 3,500W
- Voltage: 220-240V
- Frequency: 50-60Hz
- 16 cooking functions:



More space to create



Imagine being able to cook family-sized dishes with all the trimmings, or three courses at once in a single oven. It's now a reality, thanks to the InfiSpace™ oven range. open the door to discover the most flexible cooking space around.

60cm UltimateTaste 500 built-in oven with 72L capacity

EOC5400AOX

Technical info

**Product dimensions (mm)**  
594 (W) x 594 (H) x 569 (D)

**Cut-out dimensions (mm)**  
560 (W) x 600 (H) x 550 (D)

Features

- InfiSpace™
- Anti-fingerprint stainless steel
- Fully programmable timer
- True fan cooking
- Turbo grill for spit roast effect
- Moist fan baking
- Pyrolytic Cleaning
- 3-layer glass CoolDoor Xtra
- Total input rating: 3,480W
- Voltage: 220-240V
- Frequency: 50-60Hz
- 9 cooking functions:



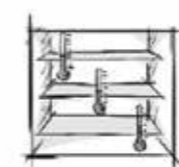
# SteamBake for bakery-style bread at home.



Bringing a professional secret that home bakers can fully enjoy from day one



1. Pour 100ml in the cavity bottom before switching on the oven.



2. Select the True Fan Cooking/ PlusSteam function and adjust the temperature.



3. Press PlusSteam button to get steam and preheat the oven for 5 minutes.



4. The signal lamp on the PlusSteam button indicates that you have activated the steam function.



5. The right humidity is reached after 5 minutes of preheating. Time to add your fresh dough.

60cm UltimateTaste 500 built-in oven with 72L capacity

EOB3434BOX

Technical info

**Product dimensions (mm)**  
594 (W) x 594 (H) x 569 (D)

**Cut-out dimensions (mm)**  
560 (W) x 600 (H) x 550 (D)

Features

- InfiSpace™
- Anti-fingerprint stainless steel
- Fully programmable timer
- Plus steam baking
- UltraFan Plus
- Aqua cleaning
- 2-layer glass CoolDoor Xtra
- Total input rating: 2,980W
- Voltage: 220-240V
- Frequency: 50-60Hz
- 8 cooking functions:



60cm UltimateTaste 300  
built-in oven with 72L  
capacity

EOB2400AOX



#### Technical info

**Product dimensions (mm)**  
594 (W) x 589 (H) x 568 (D)

**Cut-out dimensions (mm)**  
560 (W) x 600 (H) x 550 (D)

#### Features

- InfiSpace™
- Anti-fingerprint stainless steel
- Electronic temperature control
- Fully programmable timer
- Fan-assisted heat circulation
- Double layer glass door
- Total input rating: 2,780W
- 6 cooking functions:



**Compact  
Collection**

#### Small is beautiful

Perfectly coordinated to create a compact 'wall' of appliances in various configurations. Now you can personalise your kitchen to suit your taste

60cm UltimateTaste 300  
built-in oven with 53L  
capacity

EOB2100COX



#### Technical info

**Product dimensions (mm)**  
594 (W) x 589 (H) x 561 (D)

**Cut-out dimensions (mm)**  
560 (W) x 600 (H) x 550 (D)

#### Features

- Mechanical control
- Anti-fingerprint stainless steel
- Fan-assisted heat circulation
- Smooth enamel interior
- Double layer glass door
- Minute minder, no auto-off
- Total input rating: 2,515W
- Voltage: 220-240V
- Frequency: 50-60Hz
- 6 cooking functions:



60cm UltimateTaste 900  
compact built-in oven  
with 43L capacity

EVY9747AAX



#### Technical info

**Product dimensions (mm)**  
595 (W) x 455 (H) x 567 (D)

**Cut-out dimensions (mm)**  
560 (W) x 450 (H) x 550 (D)

#### Features

- Anti-fingerprint stainless steel
- 4 Steam and combination cooking mode
- 9 Automatic programmes (weight/food sensor)
- White LCD display with touch control
- Steam cleaning function
- 4-layer glass CoolDoor Xtra
- Meat probe
- VelvetClosing door
- Total input rating: 3,400W
- 17 cooking functions:



**Rapid Heat / Fast Heat Up**

Heat comes from the element surrounding the fan and the top element. This preheats the oven 30% quicker making it ideal for cooking frozen pre-cooked food.

**Fan Bake**

Heat comes from two elements - top and bottom. Set at 20°C - 40°C lower than conventional heat, the fan circulates the hot air around the oven cavity to allow you to bake up to 2 levels at the same time.

**Moist Fan Baking**

Saves energy when you bake and cook dry goods. Also good for baking on one shelf position.

**UltraFan®**

Heat comes from the element surrounding the fan for faster heat-up and shorter cooking times at lower temperatures. Evenly circulates the hot air around the oven cavity for even cooking results. Ideal for baking or cooking on up to 3 levels.

**Drying**

For drying sliced fruit (e.g. apples, plums, peaches) and vegetables (e.g. zucchini, mushrooms).

**Pizza**

Heat comes from the bottom elements and is spread evenly around the oven by the fan. Ensures a nice crispy base with succulent, melting toppings.

**Convectional Heat**

Heat comes from two elements - top and bottom. Bake and roast on one level. Suitable for cakes, muffins, pizzas, roasts and delicate egg dishes.

**Top Heat**

Heating comes from the top element - ideal for broiling.

**Bottom Heat**

Heat comes from the bottom element. Ideal for crispy pastries or pizza bases, re-heating food and warming plates (if used at low temperature). Uses the lower shelf.

**Preserving**

For making vegetable preserves (e.g. pickles).

**Grill**

Heat comes from the top grill element which directs radiant heat onto the food. Used for grilling food such as steak, chops, sausages and fish. May also be used for toasting.

**Fan Grill**

Heat comes from 2 powerful top grill elements which direct radiant heat onto the food. Used for grilling large quantities of food and cooks faster than the normal grill.

**Fast Grill**

Heat comes from 2 powerful top grill elements which direct radiant heat onto the food. Used for grilling large quantities of food and cooks faster than the normal grill.

**Au Gratin**

For preparing dishes like lasagna or potato gratin. Also used to brown.

**Turbo Grill**

Heat comes from two powerful top grill elements and is spread evenly around the oven by the fan, allowing for faster and more precise cooking results. Used for roasting larger joints of meat or poultry on one level. Suitable for browning.

**Eco Roasting**

Optimises energy consumption during cooking. It is necessary to set the cooking time first. To get more information about the recommended settings, refer to the cooking tables with the equivalent heating function.

**Slow Cooking**

Uses low temperature air to gently cook food. Ideal for casseroles and joints.

**Keep Warm**

Keeps food warm by maintaining the temperature at 80°C to prevent food from becoming dry.

**Light**

Allows you to have a clear look inside the oven whenever needed.

**Frozen Food**

To make your convenience food like e.g. French Fries, Wedges, spring rolls crispy.

**ECO Steam**

To optimize the energy consumption during cooking. It is necessary to set the cooking time first. To get more information about the recommended settings, refer to the cooking tables with the equivalent oven function.

**Full Steam**

For steaming fruits, vegetables, fish, potatoes, rice, pasta or special side-dishes.

**Dough Proving**

For raising the yeast/dough before baking.

**Half Steam + Heat**

For dishes with a high moisture content and for poaching fish, custard royale and terrines.

**Quarter Steam + Heat**

To bake bread, roast large pieces of meat or to warm up chilled and frozen meals.

**Steam Reheat**

To reheat your already cooked food directly.

**Bread Baking**

For baking bread.

**Meat**

To prepare very tender and juicy roasts.

**Defrost**

To defrost food (vegetables and fruits)



\* Oven functions vary from model to model

# Microwave Ovens

Whip up a variety of your favourite meals in no time.



## Electrolux **iMPRESSO** Built-in Microwave Oven

The Electrolux **iMPRESSO** Built-In Microwave Oven is perfect for integrated kitchens, adding both style and function for quick and healthy meals on-the-go.



### Auto-Cook Programmes

The Auto-Cook settings lets you whip up delicious dishes with just the touch of a button. Choose from a range of settings - defrosting, heating, cooking, grilling, and much more.



60cm UltimateTaste 900 compact built-in oven with 43L capacity

### Technical info

**EVY7800AAX**

**Product dimensions (mm)**  
594 (W) x 455 (H) x 567 (D)

**Cut-out dimensions (mm)**  
560 (W) x 450 (H) x 550 (D)

### Features

- Digital control type
- Stainless steel cavity with turnable
- Anit-fingerprint stainless steel
- 1,000W microwave with 5 power levels
- 9 Automatic programme recipes (weight load sensor)
- 4-layer Glass CoolDoor Xtra
- Child lock
- Cooking functions: Microwave, Grill, Convection, Microwave + Grill and Microwave + Convection
  - MWO: 1000W
  - Max Grill: 1900W
  - Convection: 1650W
  - MWO+Grill/ Convection: 3000W

· 10 cooking functions:



- 8 special programmes:  
Bread baking, Au Gratin, Dough proving, Plate warming, Preserving, Drying, Keep warm, Defrost



microwave  
grill

60cm UltimateTaste 500 built-in grill microwave oven with 25L capacity

**Technical info**

**Features**

EMS2540X



**Product dimensions (mm)**  
595 (W) x 388 (H) x 374 (D)

**Cut-out dimensions (mm)**  
560+8 (W) x 380+2 (H) x 500 (D)

- 2-in-1 microwave with grill
- Electronic rotary control with digital display
- Defrost by weight/ time
- Powerful 1000W grill and 900W microwave with 5 power levels
- Convenient Quick Start button
- 8 Automatic Programmes
- Child lock
- Cooking functions: microwave, grill, microwave + grill

60cm UltimateTaste 500 built-in grill microwave oven with 20L capacity

**Technical info**

**Features**

EMS2085X



**Product dimensions (mm)**  
596 (W) x 389 (H) x 355 (D) [with trimkit]

**Cut-out dimensions (mm)**  
560+8 (W) x 380+2 (H) x 340 (D)

- 2-in-1 microwave with grill
- Electronic rotary control with digital display
- Defrost by weight/ time
- Powerful 1000W grill and 800W microwave with 5 power levels
- Convenient Quick Start button
- 8 Automatic Programmes
- Child Lock
- Cooking Functions: microwave, grill, microwave + grill

30L freestanding 4-in-1 microwave oven

**Technical info**

**Features**

EMS3087X

**Product dimensions (mm)**  
539 (W) x 300 (H) x 438 (D)



- 4-in-1 microwave with grill
- IQ Touch
- Microwave with 5 power levels
- Convenient Quick Start button
- Defrost function
- 14 automatic programmes
- 5 steam programmes with accessory
- Fully programmable multi-stage cooking with timer
- Child Lock
- Stainless steel front trim
- 5 cooking functions: microwave, grill, convection, steam with accessory and combination cooking
- Microwave power: 900W

23L freestanding grill microwave oven

**Technical info**

**Features**

EMG23K38GB

**Product dimensions (mm)**  
498 (W) x 299 (H) x 362 (D)



- 2-in-1 microwave with grill
- Powerful 1000W grill and 800W microwave with 5 power levels
- Defrost function
- Convenient auto-off cooking timer control
- Easy clean cavity
- 27cm large turntable
- 3 cooking functions
- Microwave power: 800W
- Grill power: 1000W

20L freestanding microwave oven

**Technical info**

**Features**

EMM20K18GW1

**Product dimensions (mm)**  
451 (W) x 258 (H) x 331 (D)



- 800W microwave with 5 power levels
- With minute minder & auto-off
- With glass turntable 255mm
- 27cm large turntable
- 3 cooking functions
- Microwave power: 800W
- Voltage: 220-240V



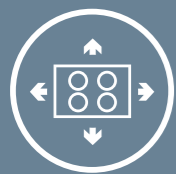


## Free-standing cooker

### Create a feast

Preparing to wow a large crowd? The generous internal capacity ensures that there's more than enough to satisfy your guests

When it comes to entertaining, you need a bit more room to move. The 90cm oven is equipped to handle the extra demands. You can even roast a whole turkey to perfection in this cooker.



#### Spacious Layout

Allows you to cook multiple dishes simultaneously.



#### Precision Heat Control

Makes for delicious, perfectly-cooked dishes every time.



#### Powerful Burner

Gives you maximum heat quickly and efficiently, especially for fast wok-frying.



#### 3-layer Glass Cool Door

Keeps in the heat when cooking while being cool to the touch on the outside.



#### Soft Closing Lid

Gently and safely covers your free-standing cooker.



#### XXL Oven

Extra large 130L oven with double fan assist for even heat distribution lets you cook more food at the same time.

90cm UltimateTaste 700 free-standing cooker with gas hob and 130L electric oven

EKM9689X

#### Technical info

Product dimensions (mm)  
900 (W) x 860 (H) x 600 (D)

#### Features

- 5 burners with wok pan support
- Cast iron pan support
- Safety flame device
- Turbo grilling
- Minute minder
- Fan-assisted heat circulation
- Anti-tilt
- 3-layer glass cool door
- With turnspit
- Burner power: 4.5kW/ 3.0kW/ 2.0kW x 2/ 1.0kW
- 130-litre oven capacity
- Voltage:220-240V
- Frequency: 50-60 Hz
- Total connected load: 3000W
- Number of oven fan: 2
- Power cable length: 1.5m
- 7 cooking functions:



# Dishwasher

## No tea towels needed

Our intuitive AirDry technology automatically opens the door 10cm towards the end of the cycle which ensures natural drying without wasting energy. So the dishes are ready when you are.

## Room for creativity

Don't be afraid to give your culinary ambitions free rein. Our dishwashers are designed to take large, odd shaped items like pots and pans and the intuitive FlexiSpray arm ensures water reaches all parts of the tub, so they come out sparkling.

## The right wash. Every time

No matter how dirty your dishes, your dishwasher has the appropriate cycle to make them sparkle again. A Quick 30 is ideal for a load of just-used plates and pans.



## 60cm freestanding dishwasher with 13 place settings

### ESF5512LOX



#### Technical info

**Product dimensions (mm)**  
600 (W) x 850 (H) x 625 (D)

#### Features

- 13 Place settings
- 6 programmes with 4 temperature setting
- Stainless steel
- AutoFlex programme
- AirDry technology
- Delay start option from 1-24 hours
- Water consumption: 11 litres
- Power consumption: 1.04kWh/cycle
- Flood & Leak Protection
- Noise level: 47dB(A)
- Total rated power: 1950W
- Voltage: 220-240V
- Frequency: 50Hz
- Energy Efficiency: A+

## 60cm freestanding dishwasher with 13 place settings

### ESF5206LOW



#### Technical info

**Product dimensions (mm)**  
600 (W) x 850 (H) x 625 (D)

#### Features

- 13 place settings
- 5 programmes with 4 temperature settings
- White
- AirDry technology
- Control panel with delay 3 hours start option
- Water consumption: 11 litres
- Power consumption: 1.039kWh/cycle
- Flood & Leak Protection
- Noise level: 49dB(A)
- Total rated power: 1950W
- Voltage: 220-240V
- Frequency: 50Hz
- Energy Efficiency: A+

55cm window compact  
dishwasher with 8 place  
settings

**ESF6010BW**



#### Technical info

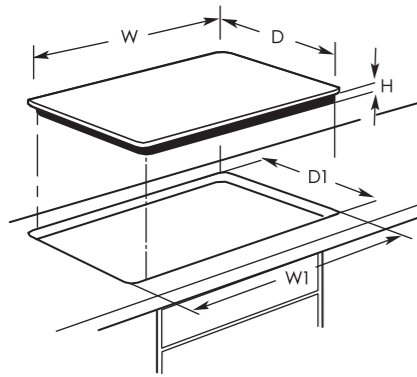
**Product dimensions (mm)**  
550 (W) x 604 (H) x 523 (D)

#### Features

- 8 place settings
- White
- 6 wash programmes
- Water consumption: 8 litres
- Power consumption: 0.82kWh/cycle
- Cutlery shelf
- Residual heat drying
- Total rated power: 1480W
- Voltage: 220-240V
- Frequency: 50Hz



## Installation Dimensions



### built-in gas hobs

(in mm)	w	w1	h	d	d1
EHG8238BC	800	700-745	130	508	400-445
EHG9351BC	900	700-865	130	520	405-480
EHG9251BC	900	700-865	130	520	405-480
EHG8251BC	800	600-765	130	508	350-465
EHG9350BC	900	700-865	130	520	405-480
EHG8250BC	800	600-765	130	508	350-465
EHG8241GE	800	600-765	130	508	350-465
EHG9331BC	900	700-865	130	520	405-480
EHG9231BC	900	700-865	130	520	405-480
EHG8321BC	800	600-765	130	508	350-465
EHG933SA	860	705	105	510	405
EHG7230BE	780	732	70	460	421

### built-in electric hobs

(in mm)	w	w1	d	d1
EHI6450BA	610	560	515	490
EHI7260BB	700	680	420	400
EHEC65BS	610	560	515	490
EHC7240BA	700	680	420	400

### built-in domino electric hobs

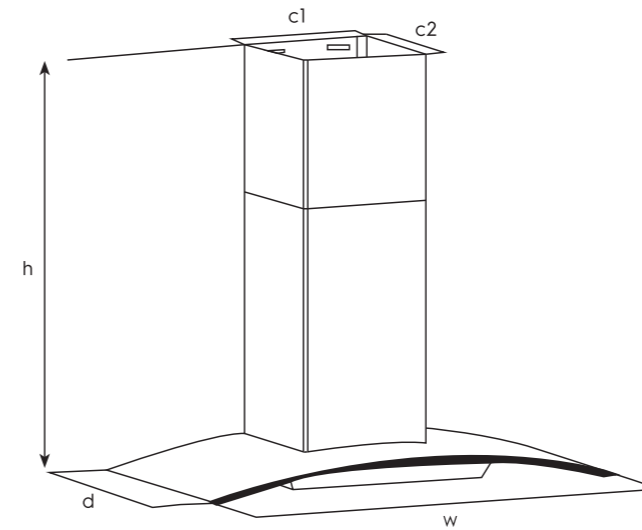
(in mm)	w	w1	d	d1
EHI325CA	300	270	520	490
EHC325BA	300	270	520	490

### designer hood

(in mm)	w	h	d
EFS928SA	900	938-1,355	395

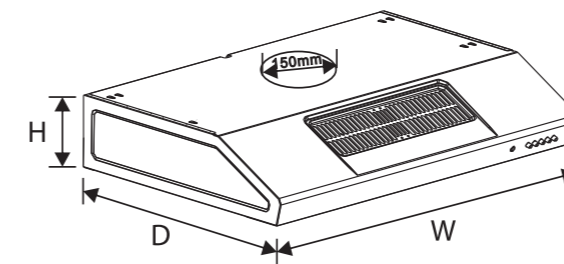
### island & boxline hoods

(in mm)	w	h	h1	d	c1	c2
EFL925MAR	900	531-1,066	56	623	310	380
EFC928SC	895	586-936	80	506	391	308
EFC929SA	900	590-961	98	505	395	325
EFC926BAR	895	518-1,158	38	500	400	320
EFC935SAR	900	565-1,080	70	504	275	275
EFC926SA	900	612-1,092	38	500	400	320



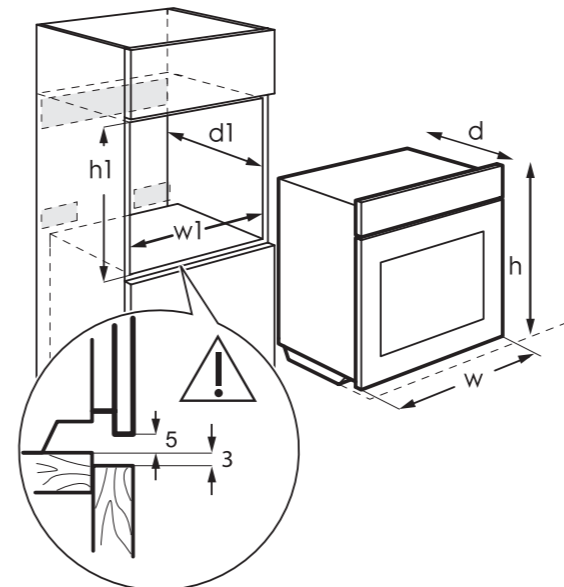
### glass hoods

(in mm)	w	h	d	c1	c2
EFC922GAK	900	592-865	500	360	317
EFC925GAC	900	590-860	500	358	286
EFC936GAR	900	560-1055	500	275	275



### slimline hoods

(in mm)	w	h	d
EFT9516X / EFT9516K	898	135	500
EFT6510X	598	160	500



### built-in ovens

(in mm)	w	w1	h	h1	d	d1
EOB8857AAX	594	560	594	590	567	550
EOC5400AOX	594	560	594	600	569	550
EOB3434BOX	594	560	594	600	569	550
EOB2400AOX	594	560	589	600	568	550
EOB2100COX	594	560	589	600	561	550
EVY9747AAX	595	560	445	450	568	550

### built-in microwave ovens

(in mm)	w	w1	h	h1	d	d1
EVY7800AAX	594	560	445	450	567	550
EMS2540X	595	560	388	380	374	500
EMS2085X	596	560	389	380	355	340

